

Uniclass L3811:N3244	EPIC C421:Y42
CI/SfB (21.49)	X (K22)

February 2004

**Promat**



# **PROMASEAL® – RSB**

**Ventilated Cavity Barrier for Rainscreen Systems**





### PRODUCT DESCRIPTION

PROMASEAL®-RSB is a purpose-made system comprising of a perforated intumescent sheet bonded to a similarly perforated galvanised steel sheet.

PROMASEAL®-RSB is screw or rivet fixed to a separate bracket or angle to form a ventilated cavity barrier with 60 minutes fire resistance.

### APPLICATIONS

PROMASEAL®-RSB sections prevent the passage of fire in the void between a rainscreen system and the face of the building which is the subject of overcladding.

PROMASEAL®-RSB provides ventilation to the cavity.

### FIRE PERFORMANCE

PROMASEAL®-RSB has been successfully tested in a fire barrier arrangement for 60 minutes (fire integrity), using the principles of BS 476: Part 20: 1987.

### VENTILATION AREA

Average ventilated free area of 0.03m<sup>2</sup> per 1000 x 100mm section or equivalent to 30% open area.

### INSTALLATION

PROMASEAL®-RSB is installed between the inner face of the overcladding layer of a rainscreen system and the external masonry of the existing building. All fixings must be non-combustible and non-aluminium. If there is any doubt about the correct type of fixing to use, please consult the fixing manufacturer or Promat Technical Services Department.

The supporting angles (50 x 50 x 0.8 mm) are first fixed to the masonry with fixings at maximum 600mm centres.

The depth of the overcladding determines the fixing position of the PROMASEAL®-RSB which is fixed with either steel rivets or self-tapping screws into the support angle at 300mm centres.

The minimum overlap between the PROMASEAL®-RSB and the angle should be 25mm. Abutting lengths of PROMASEAL®-RSB should be positioned such that there are no gaps to provide a through route for fire.

The maximum permissible gap between the outer edge of the PROMASEAL®-RSB and the rainscreen cladding system is 5mm. For more specific advice about installation please consult the Promat Technical Services Department.

### ADVANTAGES

- Fire tested for 60 minutes (integrity only)
- Easy to install
- Lightweight
- Allows continuous ventilation behind cladding
- Water tolerant
- Adjustment of fit by means of fixing
- Economical
- Convenient 1 metre lengths
- Non-corrosive
- Available in various widths





### AVAILABILITY

PROMASEAL®-RSB is available in a standard length of 1000mm and width of 100mm. The nominal thickness is 3mm, comprising of 0.6mm steel and 2.5mm intumescent. Other width sizes are available upon request.

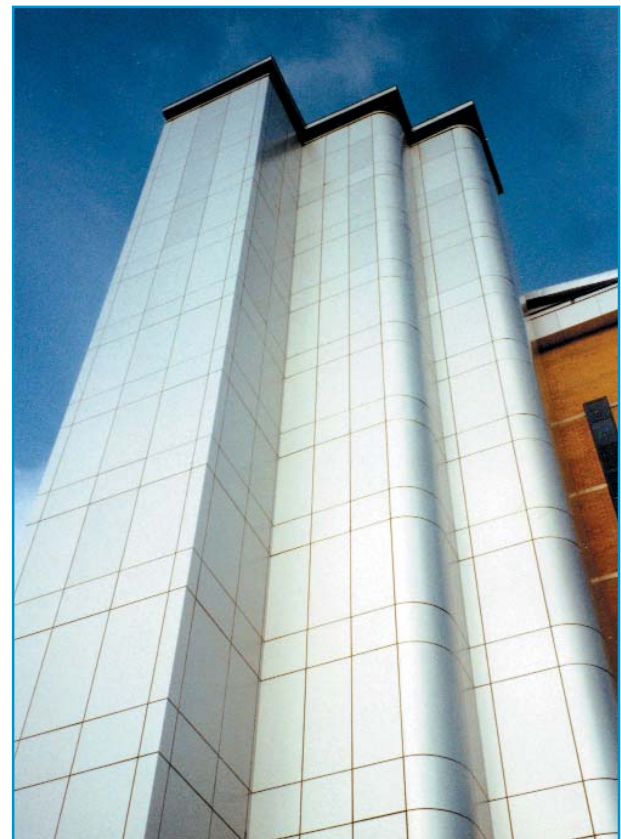
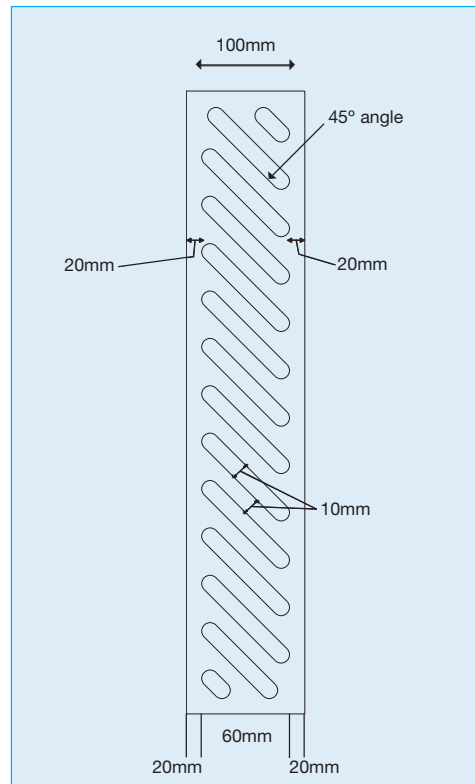
For widths greater than 100mm, the slotted intumescent area remains constant and the additional width is plain galvanised steel. For widths less than 100mm, the 20mm border area is maintained and the slotted intumescent area reduced accordingly.

### HEALTH AND SAFETY

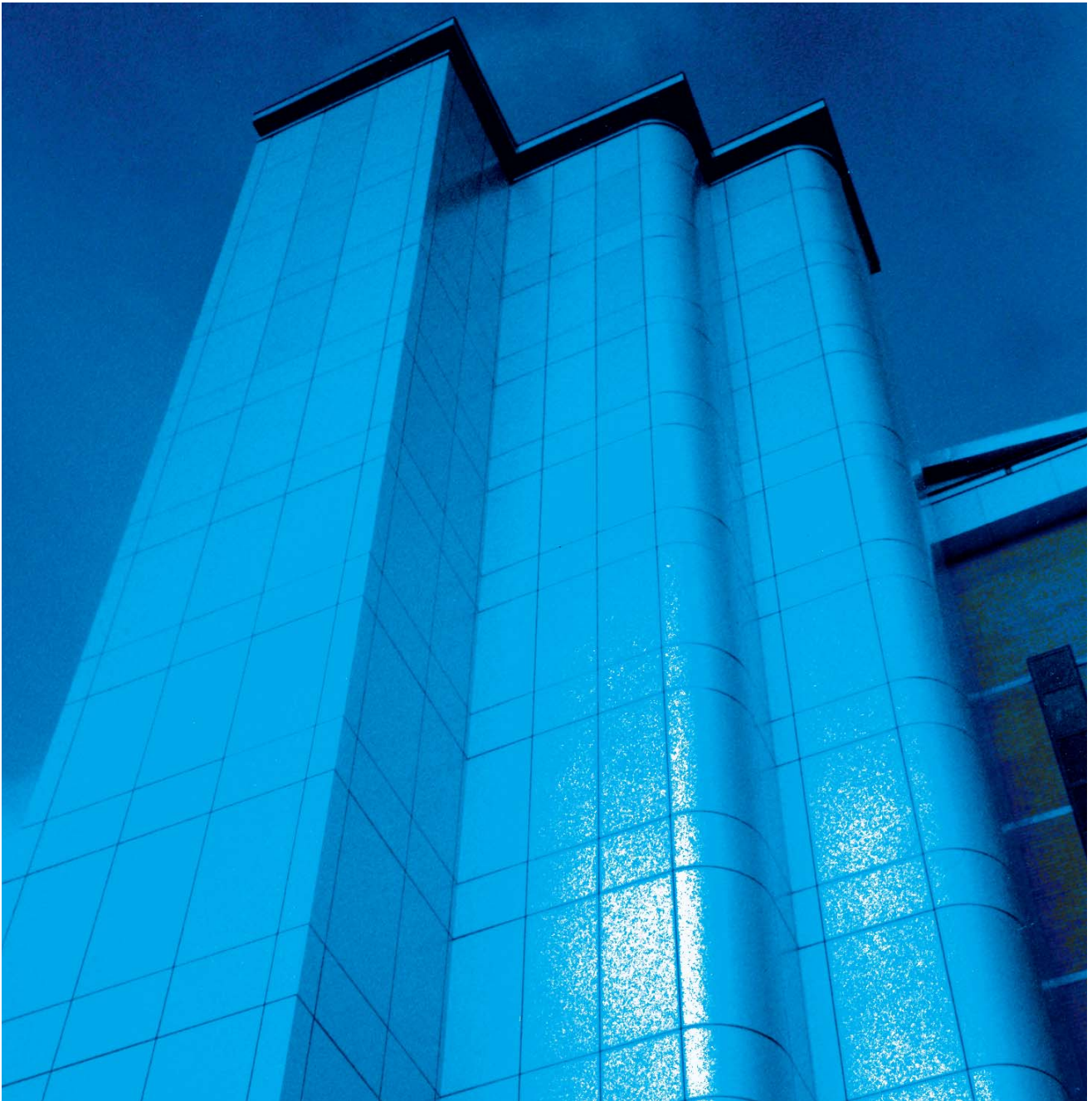
As the information given in this document can only be of a general nature, it is advisable to consult the Promat Technical Services Department if there is any doubt about the correct use of this product in any application.

The PROMASEAL®-RSB is part of the PROMASEAL® range of penetration and linear gap seals available from Promat UK Limited.

### TYPICAL STANDARD DETAIL



**Promat**



**PROMAT UK LIMITED**  
The Sterling Centre, Eastern Road, Bracknell, Berkshire RG12 2TD  
Telephone: 01344 381300 Fax: 01344 381301